

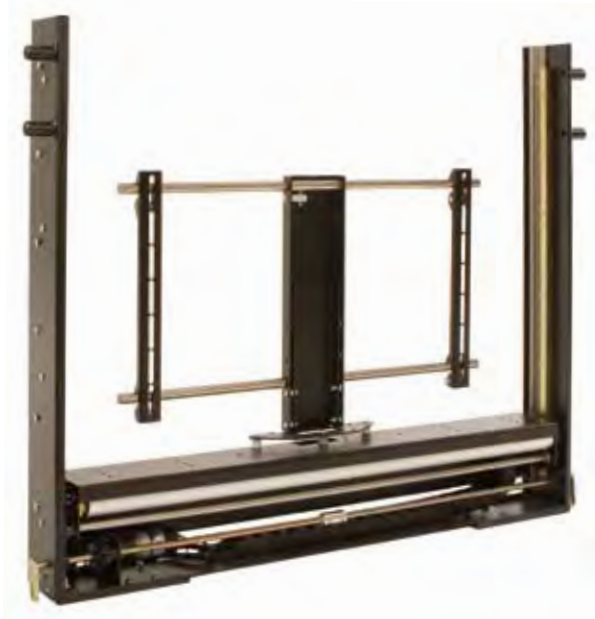
CL-Compact Lift



The Compact Lift mechanism is a lift mechanism designed to house screens between 26" and 32" in two dedicated sizes of mechanism. A motorised lift up lid ensures that the Compact Lift is extremely depth efficient and neat. It is ideal for marine applications and for situations where depth of cabinet is a key requirement such as within the footboard of a bed or a sideboard. Quick and easy to install, the Compact Lift lends itself to standardised large volume cabinetry production.

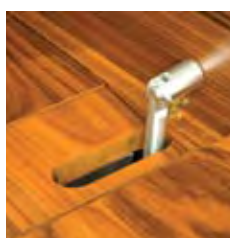
Design Highlights

- Motorised Lid Mechanism
- Full Cable Management
- Compact Design for Minimum Spatial Requirements
- Two Dedicated Size Models
- Ideal Marine Mechanism

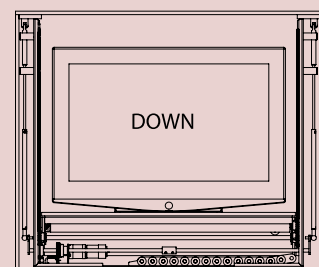
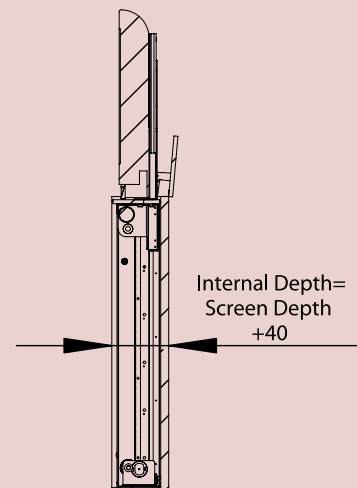
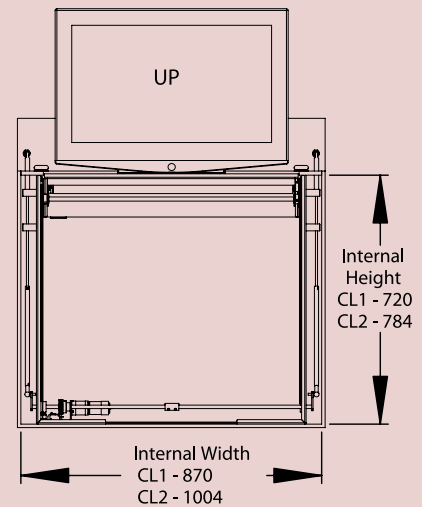


Options

- Marine Suitable Option
- Bang & Olufsen / Loewe Mount Option
- Beo 4 Control Option



Technical Specification



Specification

Maximum Screen Size (CL1) (HxW)	560 x 730mm
Maximum Screen Size (CL2) (HxW)	624 x 862mm
Maximum Weight:	30kg
Shipping Dimensions (WxDxH)	1180 x 300 x 880mm
Shipping Weight:	30kg